



# Installation instructions, accessories

Volvo Car Corporation Gothenburg, Sweden

Instruction No	Version	Part. No.
31659781	1.0	31408766, 31437774

## Gear shift knob, sport



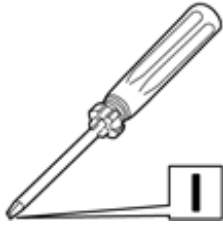
# Installation instructions, accessories

Volvo Car Corporation Gothenburg, Sweden

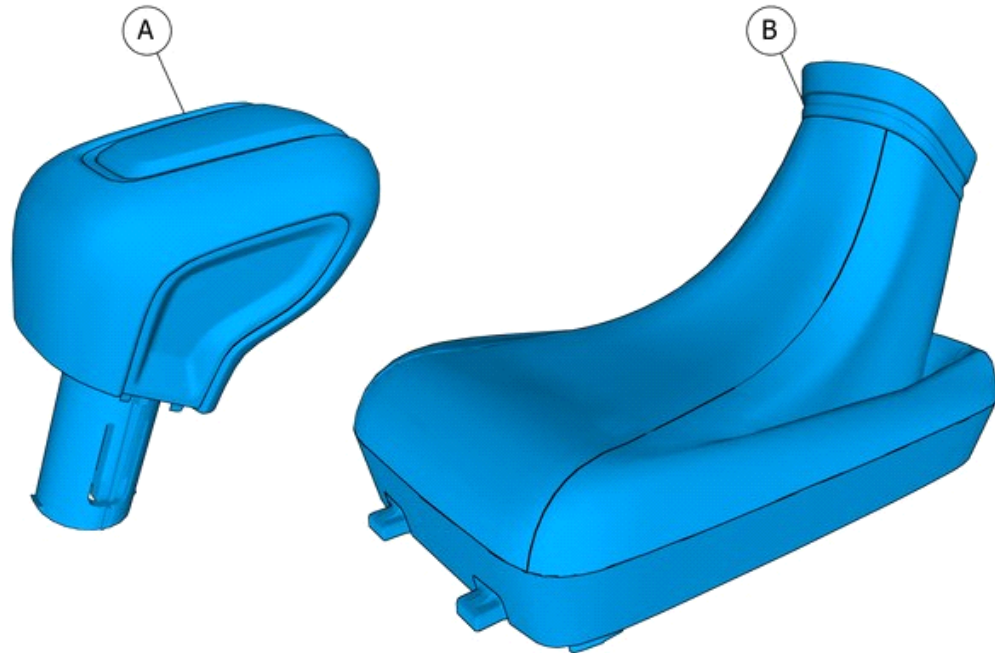
## Equipment



IMG-239667



IMG-245345



IMG-423855



# Installation instructions, accessories

Volvo Car Corporation Gothenburg, Sweden

## Information

1

Read through all of the instructions before starting installation.

Notifications and warning texts are for your safety and to minimise the risk of something breaking during installation.

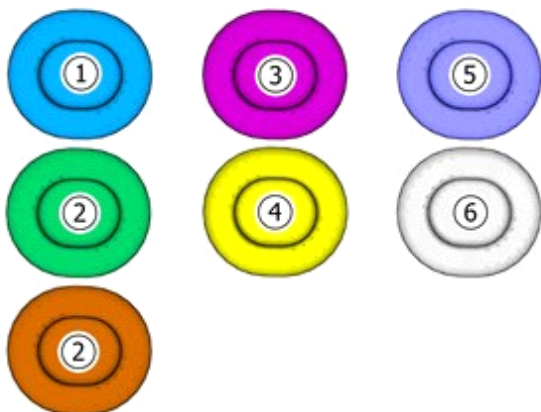
Ensure that all tools stated in the instructions are available before starting installation.

Certain steps in the instructions are only presented in the form of images. Explanatory text is also given for more complicated steps.

In the event of any problems with the instructions or the accessory, contact your local Volvo dealer.

## Color symbols

2



IMG-363036

### Note!

This colour chart displays (in colour print and electronic version) the importance of the different colours used in the images of the method steps.

- Used for focused component, the component with which you will do something.
- Used as extra colors when you need to show or differentiate additional parts.
- Used for attachments that are to be removed/installed. May be screws, clips, connectors, etc.
- Used when the component is not fully removed from the vehicle but only hung to the side.
- Used for standard tools and special tools.
- Used as background color for vehicle components.

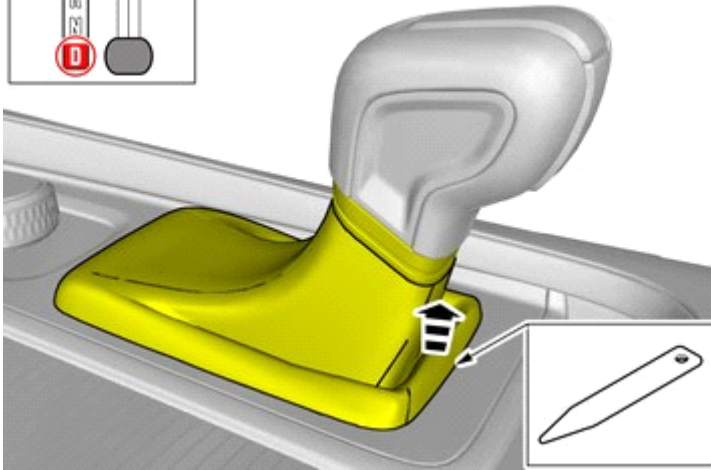
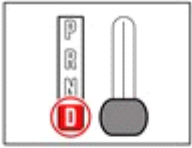
## Removal



# Installation instructions, accessories

Volvo Car Corporation Gothenburg, Sweden

3

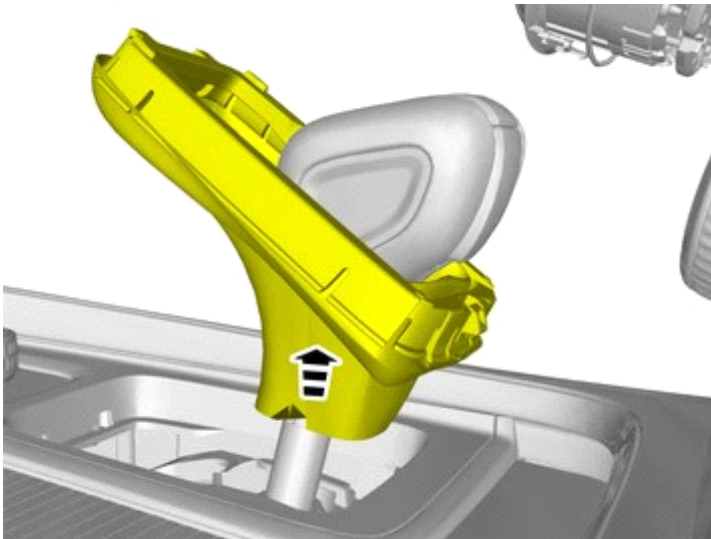


IMG-423888

**Use:** Interior trim remover

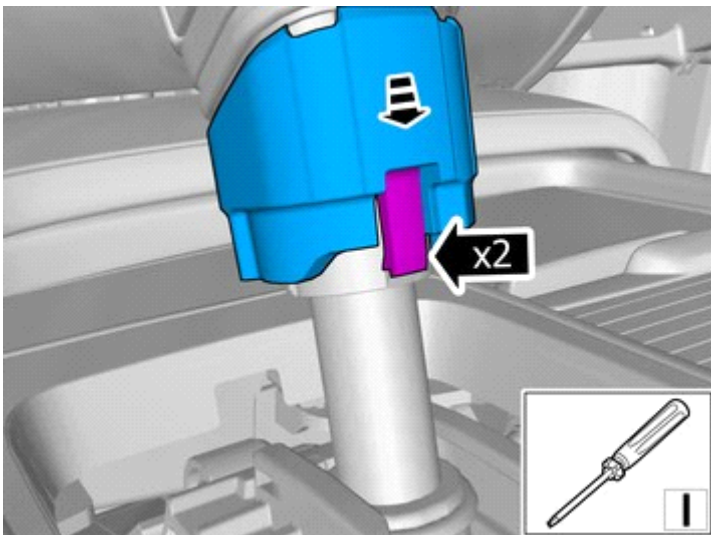
Remove the part carefully

4



IMG-423889

5



IMG-423890

Release the catches.

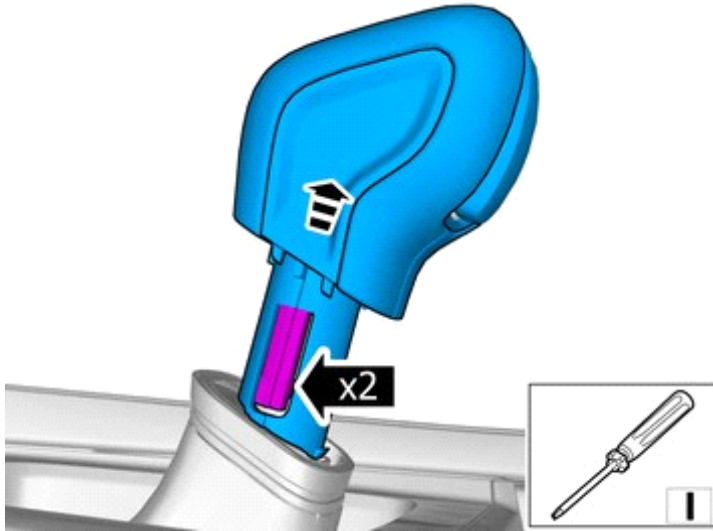
**Use:** Electrician's screwdriver



# Installation instructions, accessories

Volvo Car Corporation Gothenburg, Sweden

6



IMG-423898

Release the catches.

**Use:** Electrician's screwdriver

Remove the marked part.

7



IMG-423896

Remove the marked part.

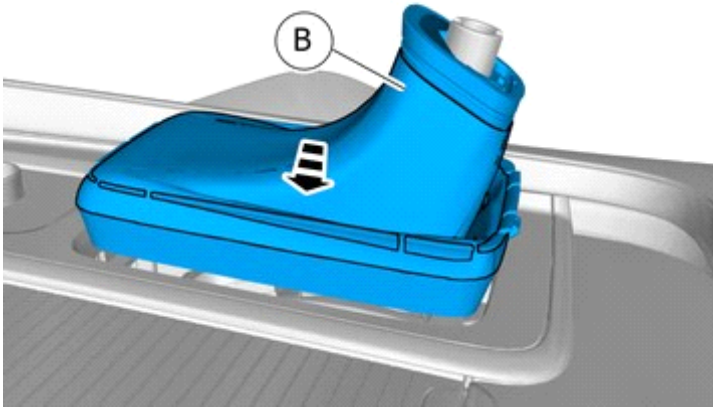
## Accessory installation



# Installation instructions, accessories

Volvo Car Corporation Gothenburg, Sweden

8



IMG-423906

9



IMG-423907

## Installation

10

To install, reverse the removal procedure.